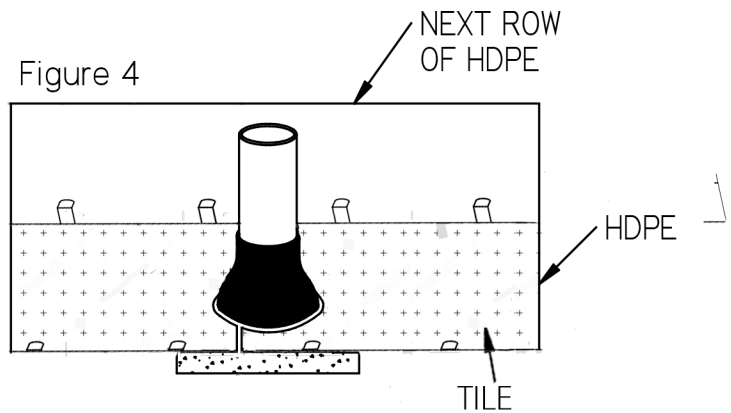
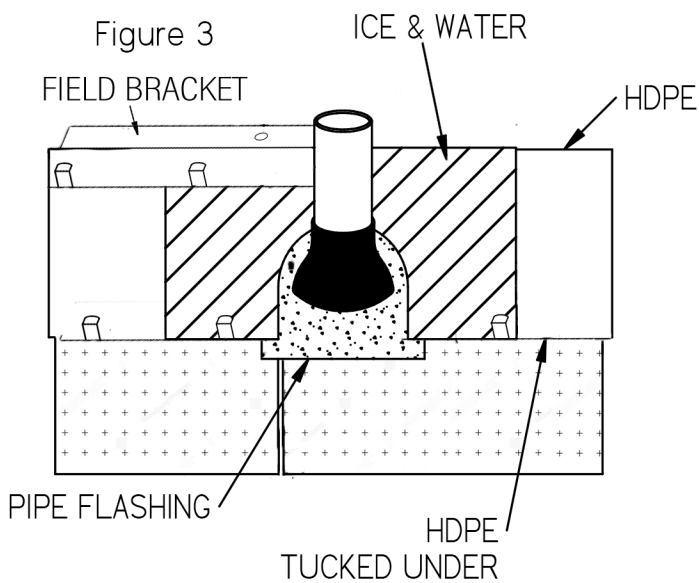
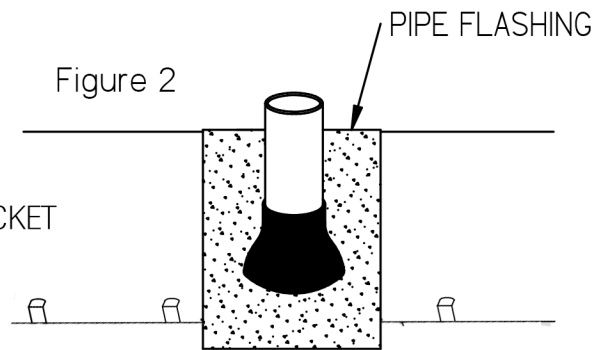
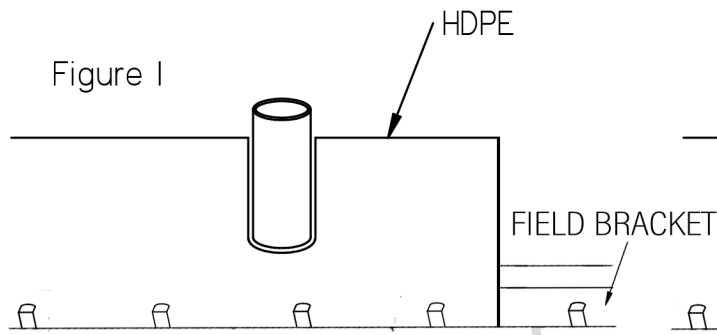


Plumbing Vent Installation



*HDPE is the water shedding layer, not the tile.

KEY

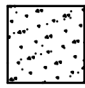
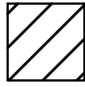
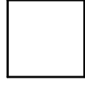

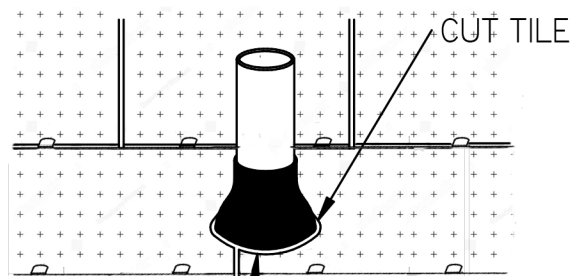
-  = PIPE FLASHING
-  = ICE & WATER
-  = HDPE
-  = TILE

Figure 5



* Water can enter here because the layering of the PIPE FLASHING and HDPE are in the right place. The water would pass under the tile and dump out on top of the tile on the row below